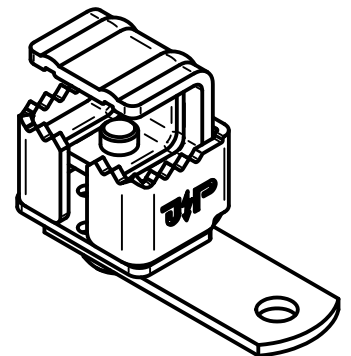
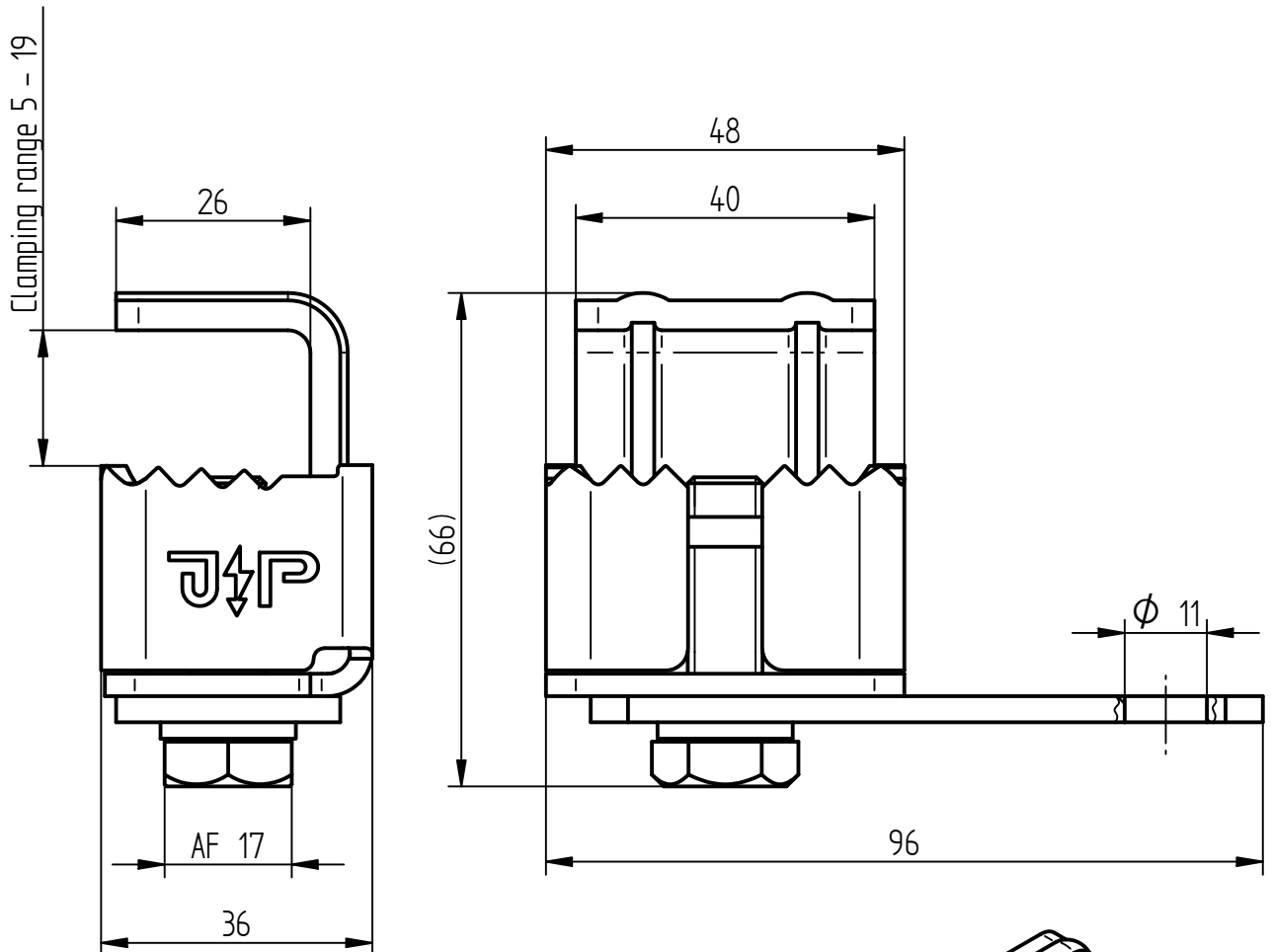


Art.-Nr.: **111 384**

Bezeichnung: Terminal clamp, clamping range 5-19mm
St/tZn, with terminal lug, bore Ø 11 mm

Leistungstext: Terminal clamp (heavy-duty type) according to DIN EN 62561-1 with terminal lug for the connection to steel constructions.



Suitable for the connection in explosive atmospheres in zones 2/22.

The clamp is secured against self-loosening by a spring washer according to DIN EN 62305-3 Supplement 2.

Material	St/tZn
Clamping range	5-19 mm
Terminal lug	Bore Ø 11 mm
Screw	Hexagon bolt M10 with spring lock washer, stainless steel V2A
Weight	317 g
Standard reference	DIN EN 62561-1
Packing unit	25 units